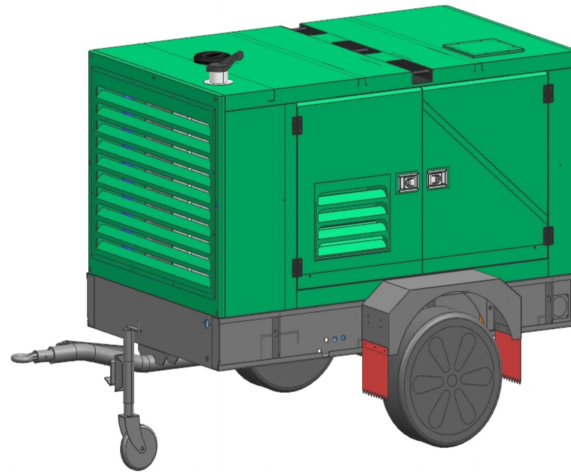


ALWAYS PERFORMED WELL



ALWAYS PERFORMED WELL

MDS400S10C-EU3A

**Compressor type** Rotary Twin Screw, Single-Stage, Water-cooled

**Operational data**

Free Air Delivery	m <sup>3</sup> /min	11.2
	cfm	400
Rated Operating Pressure	bar	10
	psig	145

**Engine**

Maker/Model	CUMMINS QSB4.5-C160-30	
Type	4 cycle, Inline, Water-cooled, Diesel	
Air Intake Way	Turbocharged Inter-cooler	
Injection System	Electronic Common Rail	
Emission regulation	EU Stage IIIA	
Number of Cylinders	4	
Bore	mm	107
Stroke	mm	124
Displacement	l	4.5
Full Load Speed	rpm	2100
Unload Speed	rpm	1500
Power	kw(ps)(bhp)	122 (165.87) (163.60)
Fuel Consumption	l/h(US gal/h)	21.6 (5.71)

**Filling capacities**

Compressor Oil System	l(US gal)	54.8 (14.48)
Diesel Tank	l(US gal)	220(58.12)
Engine Coolant System	l(US gal)	18.7(4.94)
Engine Oil System	l(US gal)	13(4.33)

**Dimensions & weight and connections**

Box	Length	mm(in)	2550(100)
	Width	mm(in)	1550(61)
	Height	mm(in)	1509.5(59)
	weight(Dry)	kg(lb)	2070(4564)
	weight(Wet)	kg(lb)	2265(4993)
Portable	Length	mm(in)	4150(163)
	Width	mm(in)	2180(86)
	Height	mm(in)	2028.5(80)
	weight(Dry)	kg(lb)	2270(5004)
	weight(Wet)	kg(lb)	2465(5434)
Compressed air outlet	1 x G1 1/2" 3×G3/4"		

\* Note: Due to continuous improvements in the products, the technical specifications are subject to change without prior notice.

ALWAYS PERFORMED WELL

# MDS400S10C-EU3A Technical Data

## Many options for many applications

### Compressed Air Quality

- «Built-in aftercooler
- «Built-in microfilter combination
- «Integrated Oiler

### Compressor Equipment

- «Hose reel
- «Remote start / stop
- «Tool-Box «Bunded bottom box

### Integrated Generator

- «5KVA «7KVA
- «9KVA «15KVA

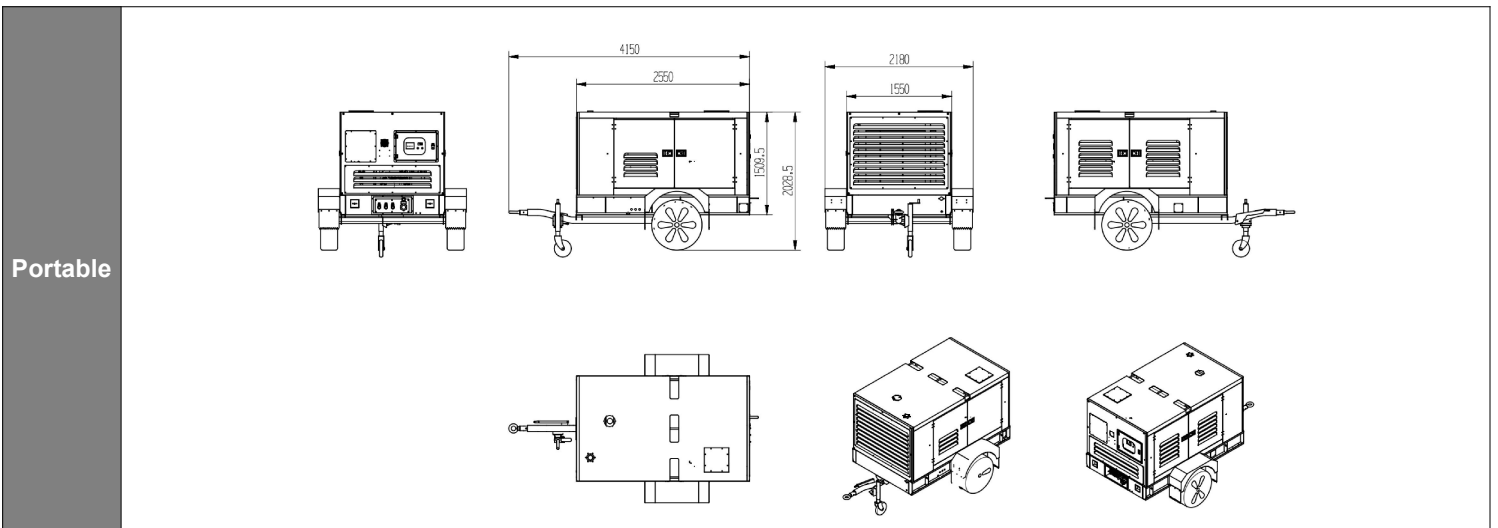
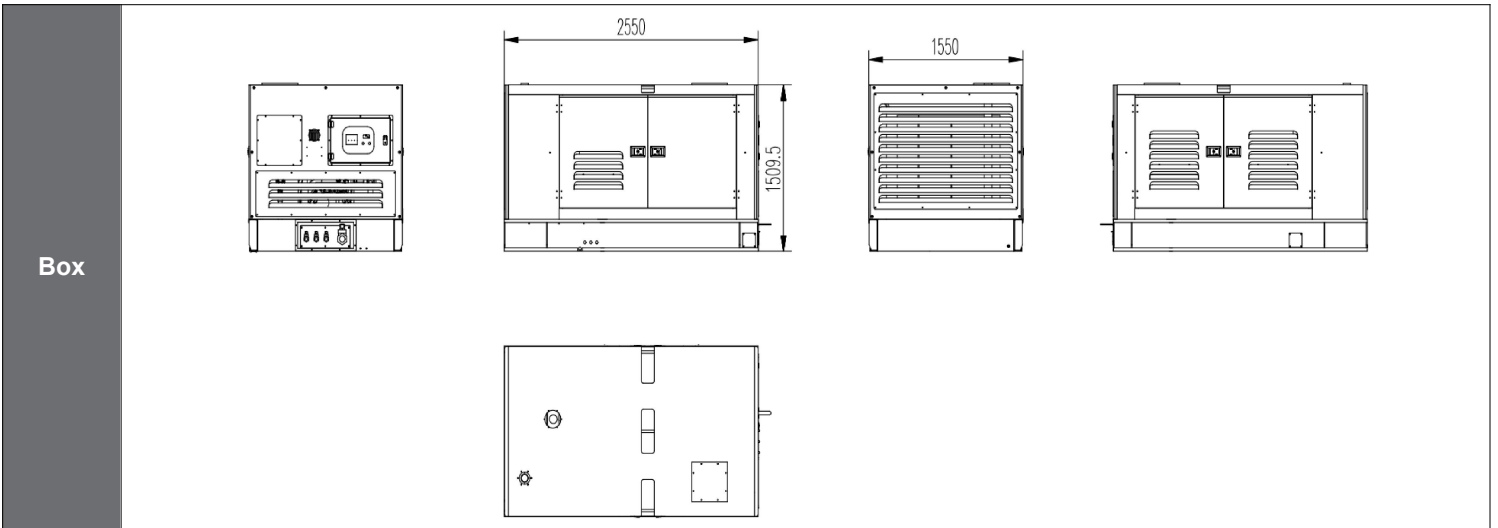
### Engine Accessories

- «Spark arrestor
- «Engine shutdown at overspeed from flammable gases

### Others

- «Color
- «Fuel tank capacity

## Dimensions



### CERTIFICATION

GCCA:GC009G01

CE certification: Machinery Directive 2006/42/EC

GB/T 45001-2020/ISO 45001:2018 ,GB/T 24001-2016/ISO14001:2015, ISO9001:2015

### WARRANTY COVERAGE

**PACKAGE:** 1 year or 2,000 hours

**ENGINE:** Carries the manufacturer's warranty

**AIREND:** STANDARD: 2 years or 4,000 hours

EXTENDED: 5 years or 10,000 hours with the use of GTL filters and fluids



### XIAMEN GTL POWER SYSTEM CO.,LTD

**Marketing Center:** 5F, Bo an Shi Tong Building, No.997-999, Tianma Rd, Jimei,Xiamen,361100

**TEL:** +86 (0592)7196398

**China Manufacturer Center:** 1#Factory Building No.8 Tonghong Rd, Tong'an District,Xiamen,361100,China

**WEB:** www.cngtl.com

For more information, product demonstration, or details on purchase, lease and rental plans, please contact your local GTL distributor.

Effective Date: 01012025. Product specifications and prices are subject to change without notice or obligation. The photographs and/or drawings in this document are for illustrative purposes only. Refer to the appropriate Operator's Manual for instructions on the proper use of this equipment. Failure to follow the appropriate Operator's Manual when using our equipment or to otherwise act irresponsibly may result in serious injury or death. The only warranty applicable to our equipment is the standard written warranty applicable to the particular product and sale and we make no other warranty, express or implied. Products and services listed are trademarks, service marks or trade-names of Xiamen GTL Power System Co.,Ltd